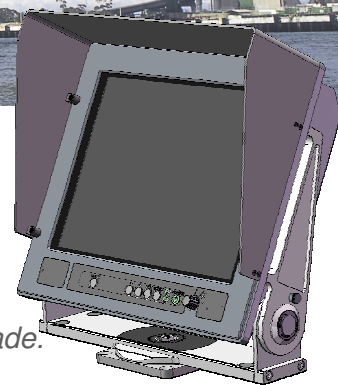




Sea Line 19.0" MK3 Monitor



The Sea Line Monitors, are a series of rugged TFT LCD Displays monitors. Our monitors are built following a modular approach, making them suitable as well for OEM or Private Label versions.

Our displays can be flush mounted or equipped with stand, turntable and/or sunshade.

Please note that our monitors have been approved with all accessories mounted.

All our monitors are provided with AC/DC inputs and can even be used as a part of an UPS system. Special attention has been made in building our power inverter for driving the backlight.

Technical Specifications Sea Line 19.0" MK3 Monitor

Matching standards:	IEC 60945, IEC 61174 (ECDIS), IEC 60936 (RADAR), IEC 60529 (IP), IACS E10. Designed to comply with MIL-STD-810F & MIL-STD-901D.
Obtained approvals:	Approved by BSH. Other approvals can be conducted on request.
Display size:	19.0" - 48.2cm. 376.3 (W) x 301.05 (H) mm
Overall dimensions:	470 (W) x 417 (H) x 70 (D) mm - flush mounting 488.5 (W) x 470 (H) x 449 (D) mm - with Stand & Turntable
Net/Gross weight:	10.9 Kg (monitor only) / 14 Kg (Monitor with Stand & Turntable)
Resolution:	Max. 1.280 x 1.024 pixels (SXGA)
Synchronisation:	Separate/Composite, 15-100 kHz (H), 30-100 Hz (V)
Response time:	13 ms
Contrast ratio:	1.000:1
Dot pitch:	0.294 (H) x 0.294 (V) mm
Light intensity:	250 cd/m ²
Numbers of colours:	16.7 Millions depending on graphics card
Viewing angle:	178°
Controls knobs:	Power, Menu, Set, +, -, Lock. All with dimmable light.
Potentiometer:	Brightness (TFT Backlight intensity)
Indicators:	Power indicator, AC or DC, dimmable LEDs
Supply voltage:	115 VAC ±10%, 230 VAC ±10% (switch), 24 VDC+30/-20%
Power Consumption:	55 W (AC) / 45 W (DC)
Colours:	Front & back: RAL 7015. Stand & turntable RAL 9007. Other colours available on request.
Enclosure protection:	IP 66 & IP 67 mounted in console, with optional sealing kit (gasket & grease)
Glass type:	Conturan [®] hardened, antiglare coated
Control Input:	RS 232 D-SUB 9 pin female
Operating/Storage Temp.:	-15/+55°C. +5/131°F (IEC 60945) / -25/+70°C. -13/158°F
Input:	DVI-I (Analogue and Digital), VGA, Composite video, S-Video, AC power IEC Inlet & DC screw terminal
Backlight life:	Typ. 50.000 hours
Dimming range:	0-100% (Dimming ratio 1.000:1)
Accessories:	Sunshade (SL190-01.SUN.01-0001) Single Brackets (SL190-01.STA.01-0001) / Single Brackets + Turntable (SL190-01.STAU.01-0001) Dual Brackets (SL190-01.STA.02-0001) / Dual Brackets + Turntable (SL190-01.STU.02-0001)

Specifications subject to changes without prior notice.

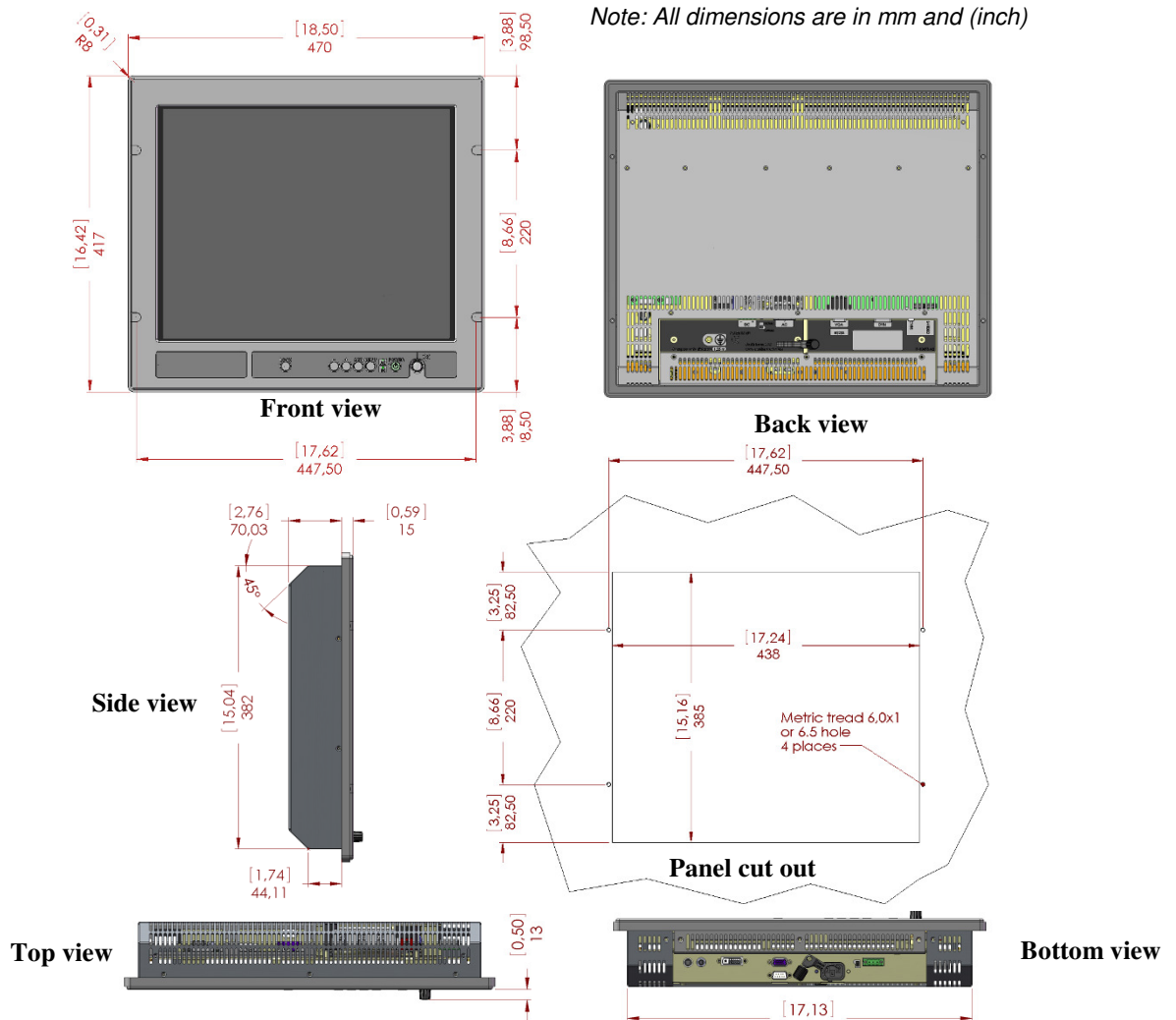
The contents of this page are property of North Invent A/S. All rights herein are reserved to North Invent A/S. This document cannot be reproduced without the written permission of the company.

North Invent A/S

Mosetoften 20, DK-8722 Hedensted
Phone: + 45 87 53 89 00 / Fax: + 45 70 21 72 11
mail: info@northinvent.com / Web: www.northinvent.com

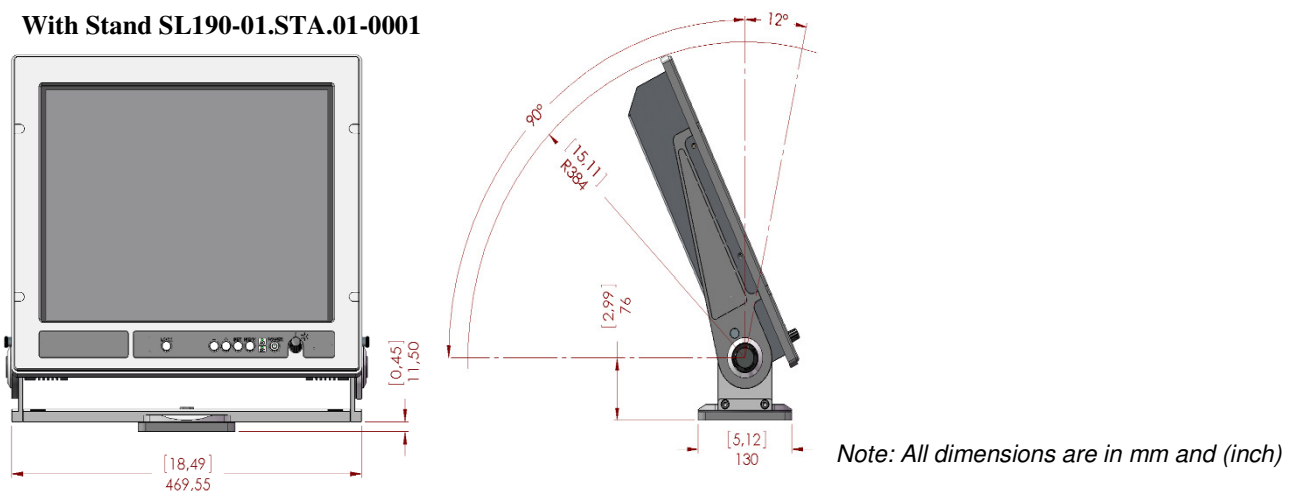


I) Front mounting - main dimensions



II)a Stand and turntable mounted on monitor- main dimensions

With Stand SL190-01.STA.01-0001



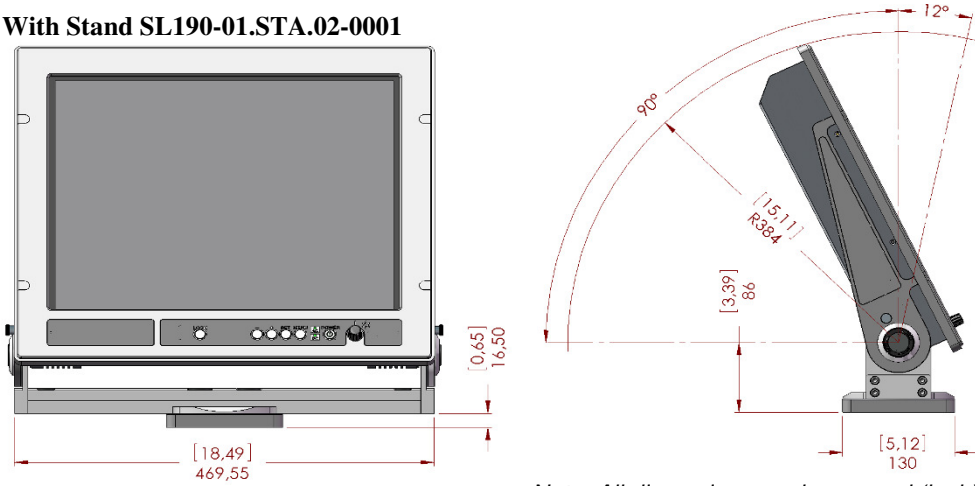
Specifications subject to changes without prior notice.

The contents of this page are property of North Invent A/S. All rights herein are reserved to North Invent A/S. This document cannot be reproduced without the written permission of the company.



II)b Double layer stand and turntable mounted on monitor - main dimensions

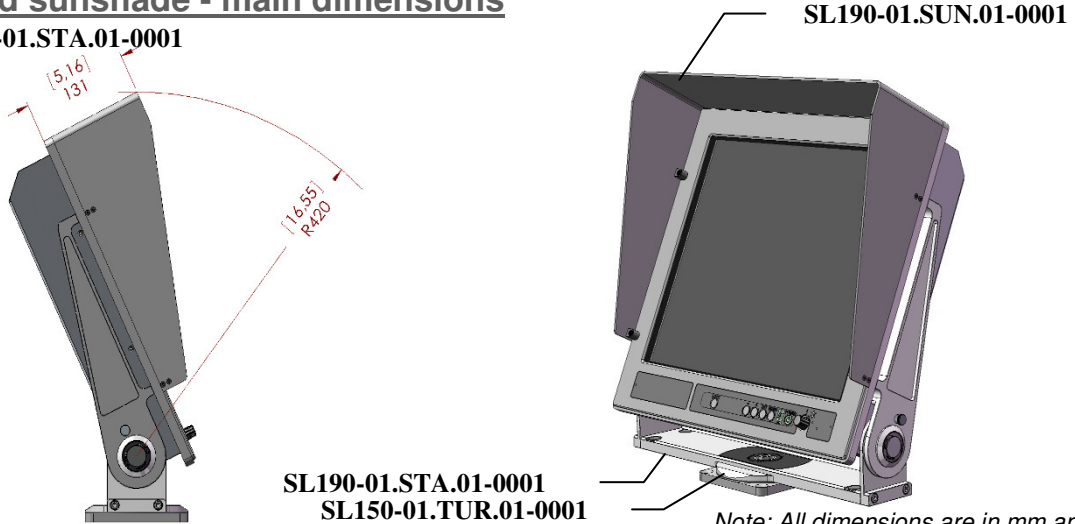
With Stand SL190-01.STA.02-0001



Note: All dimensions are in mm and (inch)

III)a Stand and sunshade - main dimensions

With Stand SL190-01.STA.01-0001

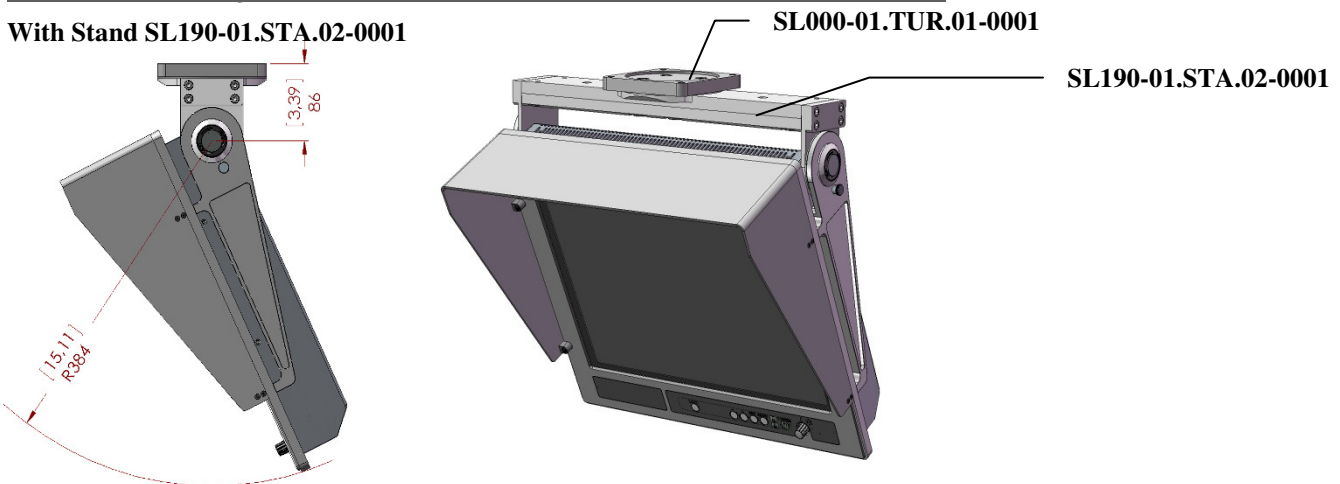


SL190-01.STA.01-0001
SL150-01.TUR.01-0001

Note: All dimensions are in mm and (inch)

III)b Double layer stand and sunshade - main dimensions

With Stand SL190-01.STA.02-0001

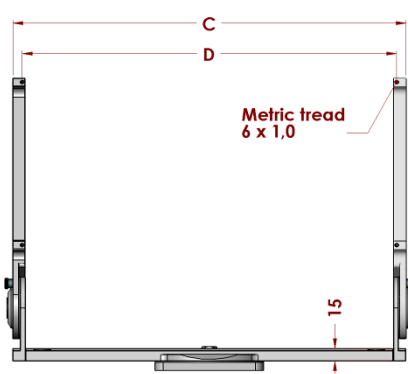


Specifications subject to changes without prior notice.

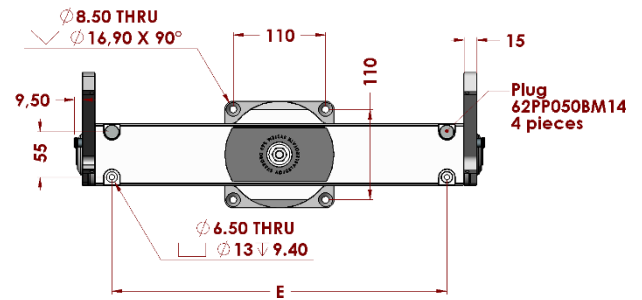
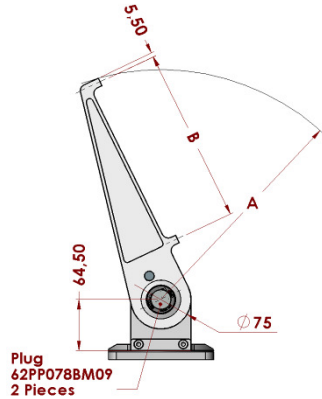
The contents of this page are property of North Invent A/S. All rights herein are reserved to North Invent A/S. This document cannot be reproduced without the written permission of the company.



IV)a Stand, turntable & sunshade mounted on monitor - main dimensions



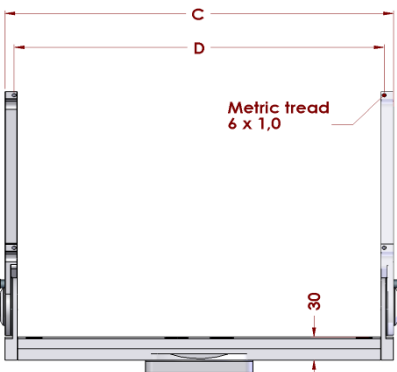
Note: All dimensions are in mm



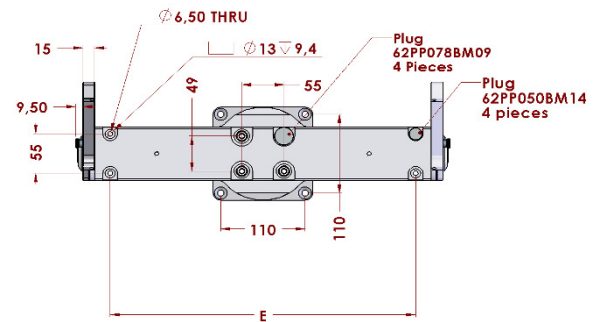
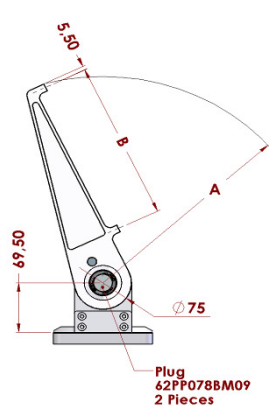
SL190-01.STA.01-0001

Measurements				
A	B	C	D	E
290	220	470	447.5	399

IV)b Double layer stand, turntable & sunshade mounted on monitor - main dimensions



Note: All dimensions are in mm



SL190-01.STA.02-0001

Measurements				
A	B	C	D	E
315.5	334.5	533.5	511	462.9

Please note the following:

- All the mentioned marine and military standards can also be applied to the standard Monitor.
- The approved vibration test has been conducted with monitors fully equipped with Stand, Turntable & Sunshade, without significant amplifications.
- Monitors can match IP66 (dust proof & powerful jetting) and IP67 (dust proof & temporary immersion) requirements, with use of the optional Sealing kit. It makes our Monitors suitable for mounting on e.g. open bridge wings.
- The internal gasket of our front glass while being dust proof may still be permeable by vapour. In order to avoid both dust and dew building up inside the glass, please take a further contact with us.

The following is enclosed in a standard delivery:

- 1 x SL190-01.MON.03-0001, 19" Monitor
- 1 x User Manual for Sea Line Monitors (identical for 15", 19", 21.3" & 23.1" monitors)
- 1 x Power AC Cable / 1 x DC plug / 1 x VGA Cable
- 4 x M6 x 25, Stainless Steel screws for front mounting / 4 x Cover for M6 screws

Specifications subject to changes without prior notice.

The contents of this page are property of North Invent A/S. All rights herein are reserved to North Invent A/S. This document cannot be reproduced without the written permission of the company.